



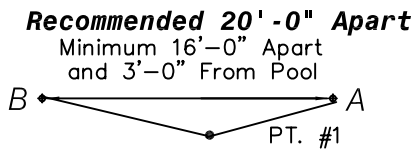
250 Route 61 South  
 Schuylkill Haven, PA 17972  
 PH: (800) 359-5350  
 FAX: (800) 969-4191  
 Email: CardinalLiners@CardinalSystemsInc.com

Liner  
 Order  
 Form

# FREEFORM

Date:	P.O.#	Fabrication: <input type="checkbox"/> Quotation: <input type="checkbox"/>
Dealer:		
Zip Code:		
Job Name:		
Wall Pattern:	<input type="checkbox"/> 20 Mil	<input type="checkbox"/> 28 Mil
Bottom Pattern:	<input type="checkbox"/> 20 Mil	<input type="checkbox"/> 28 Mil

NOTE: IF POOL HAS STEPS, THEY MUST BE IDENTIFIED BY THE BEGINNING AND ENDING POINTS OF STAIR.  
 SPECIFY STAIR WIDTH \_\_\_\_\_ STRAIGHT \_\_\_\_\_ OR CURVED \_\_\_\_\_ RADIUS OF STAIR  
 SELECT POINTS A & B AT LEAST 3' FROM THE POOL, AND A MINIMUM OF 16' APART, MAKE SURE A  
 STRAIGHT LINE BETWEEN POINTS A & B DOES NOT INTERSECT ANY PART OF THE POOL.  
 MEASURE AND PLACE POINTS EVERY 2' AROUND PERIMETER OF POOL GOING COUNTER CLOCKWISE AS  
 SHOWN. NEXT, MEASURE FROM POINTS A & B TO EACH POINT MARKED ON THE POOL PERIMETER.  
 RECORD MEASUREMENTS ON SHEET 3 OF 3. BY DOING THIS ACCURATELY AROUND THE PERIMETER, THE  
 POOL SHAPE CAN BE DETERMINED.



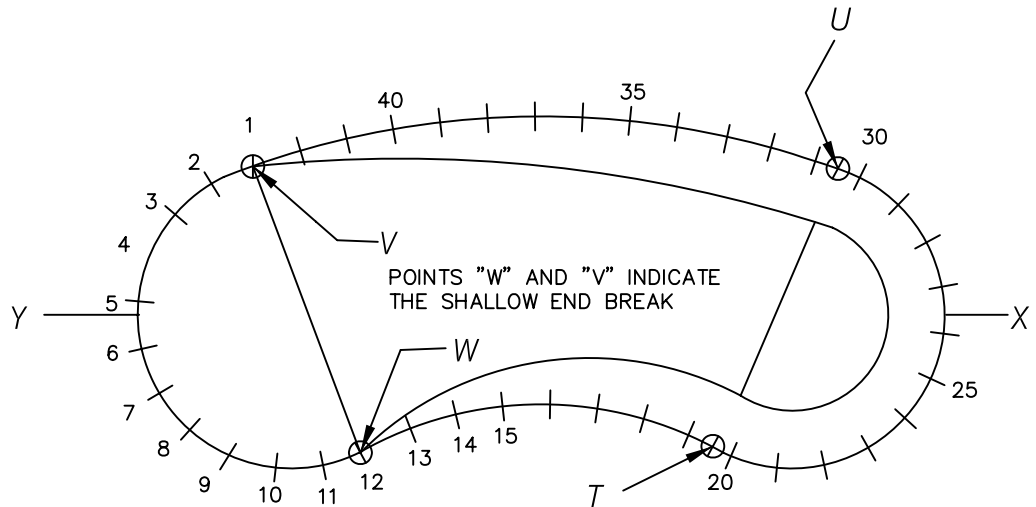
**IMPORTANT NOTE:**  
 Place (A & B)  
 Points with the  
 Deep End to  
 the RIGHT as  
 Shown.

DISTANCE  
 BETWEEN A & B IS \_\_\_\_\_

POINTS "X" AND "Y" INDICATE THE LONGEST POINTS OF THE POOL      POINTS "T" AND "U" INDICATE WHERE THE TRANSITION SLOPE MEETS HOPPER PAD.

All Measurements Must Be Taken From The BEAD RECEIVER Groove To The Finished Bottom.

BREAK POINTS	A	B	SLOPE DIMENSION
T			
X			
U			
V			
Y			
W			





250 Route 61 South  
 Schuylkill Haven, PA 17972  
 PH: (800) 359-5350  
 FAX: (800) 969-4191  
 Email: CardinalLiners@CardinalSystemsInc.com

Liner  
 Order  
 Form

**FREEFORM**

Date:	P.O.#	Fabrication: <input type="checkbox"/> Quotation: <input type="checkbox"/>
Dealer:		
Zip Code:		
Job Name:		
Wall Pattern:	<input type="checkbox"/> 20 Mil	<input type="checkbox"/> 28 Mil
Bottom Pattern:	<input type="checkbox"/> 20 Mil	<input type="checkbox"/> 28 Mil

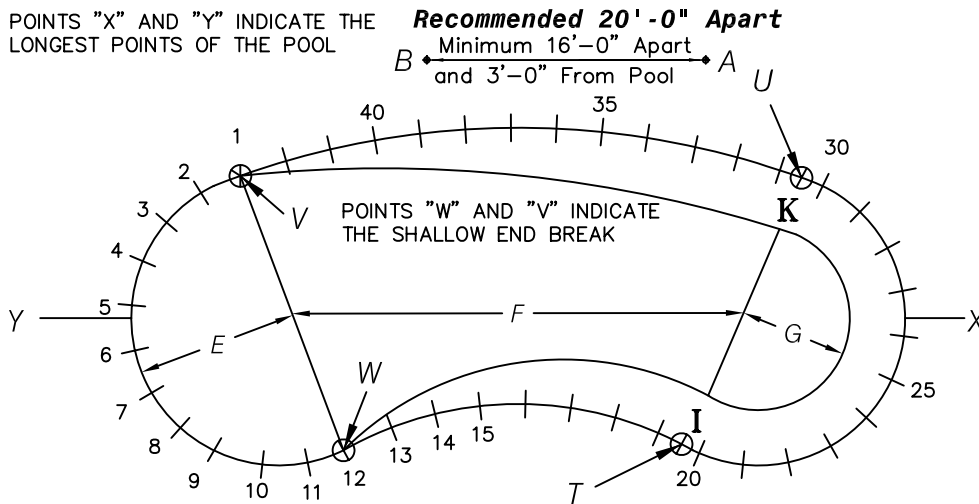
Beaded:  Overlap:  Safety Ledge:  Yes  No Width: \_\_\_\_\_ Brand Of Pool: \_\_\_\_\_

WALL SEAM LOCATION REQUEST  No  Yes

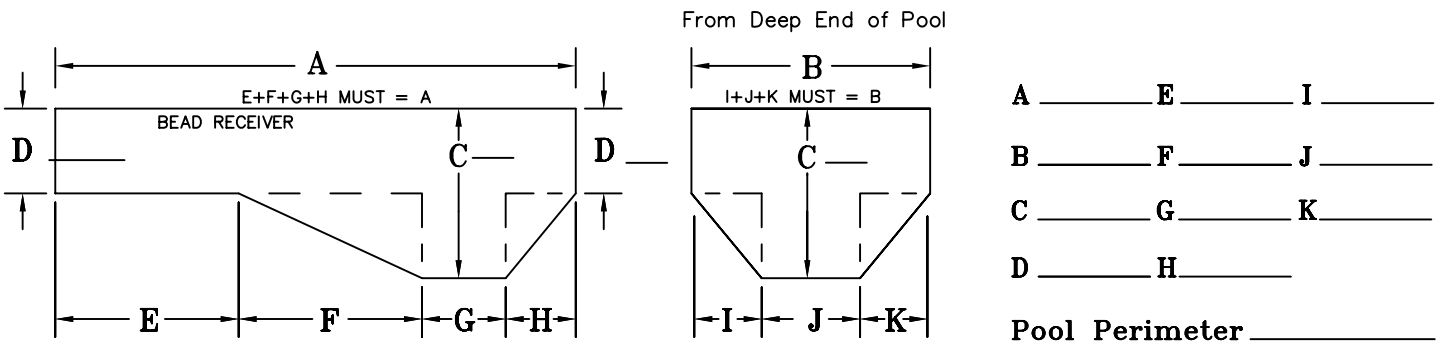
Must Be Shown And Dimensioned. Cardinal Not Responsible For Pattern Misalignment

Note: If The Pool Has Stairs, Indicate Location. If The Liner Covers The Stairs, Use Separate Stair Sheet For Required Stair Information.

All Measurements Must Be Taken From The BEAD RECEIVER groove to the finished bottom



POINTS "T" AND "U" INDICATE WHERE THE TRANSITION SLOPE MEETS HOPPER PAD.



Notes:



250 Route 61 South  
 Schuylkill Haven, PA 17972  
 PH: (800) 359-5350  
 FAX: (800) 969-4191  
 Email: CardinalLiners@CardinalSystemsInc.com

# AB RECORD SHEET

Date:
Dealer:
Zip Code:
Job Name:
P.O.#

DISTANCE BETWEEN PT. A and PT. B

PT.	A	B	PT.	A	B	PT.	A	B	PT.	A	B
1			21			41			61		
2			22			42			62		
3			23			43			63		
4			24			44			64		
5			25			45			65		
6			26			46			66		
7			27			47			67		
8			28			48			68		
9			29			49			69		
10			30			50			70		
11			31			51			71		
12			32			52			72		
13			33			53			73		
14			34			54			74		
15			35			55			75		
16			36			56			76		
17			37			57			77		
18			38			58			78		
19			39			59			79		
20			40			60			80		

USE SPACE BELOW TO SHOW POOL LAYOUT WITH HOPPER. SHOW A-B PLACEMENT ON YOUR LAYOUT.