



250 Route 61 South  
 Schuylkill Haven, PA 17972  
 Ph: (800) 359-5350  
 Fax: (800) 969-4191  
 Email: CardinalLiners@CardinalSystemsInc.com

Liner Order Form

# LAZY "L" RIGHT

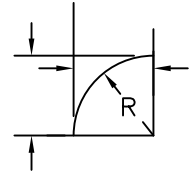
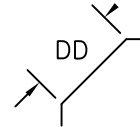
Date:	P.O.#	Fabrication: <input type="checkbox"/> Quotation: <input type="checkbox"/>
Dealer:		
Zip Code:		
Job Name:		
Wall Pattern:	<input type="checkbox"/> 20 Mil	<input type="checkbox"/> 28 Mil
Bottom Pattern:	<input type="checkbox"/> 20 Mil	<input type="checkbox"/> 28 Mil

Beaded:  Overlap:  Safety Ledge:  Yes  No Width: \_\_\_\_\_ Brand Of Pool: \_\_\_\_\_

WALL SEAM LOCATION REQUEST  No  Yes  
 Must Be Shown And Dimensioned. Cardinal Not Responsible For Pattern Misalignment

Note: If The Pool Has Stairs, Indicate Location From The Corners. If The Liner Covers The Stairs, Use Separate Stair Sheet For Required Stair Information.

CORNER TYPE check one



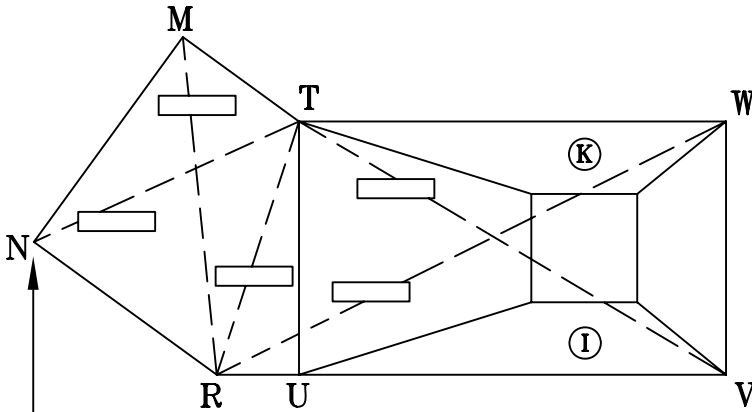
Square

DD=\_\_\_\_\_"

Radius=\_\_\_\_\_

Foot  
 Inch

All Measurements Must Be Taken From The BEAD RECEIVER groove to the finished bottom

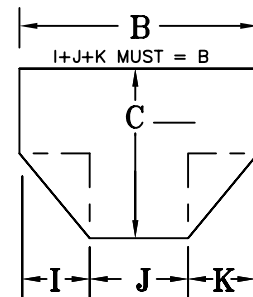
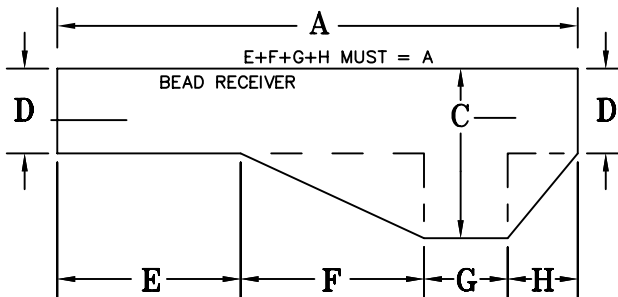


Take Diagonals To Square Corners  
 Is Break Line Straight Across  Angled

M to R _____	T to M _____
R to W _____	M to N _____
T to N _____	R to N _____
T to V _____	R to T _____
T to W _____	R to V _____
V to U _____	

RIGHT FROM DEEP END

From Deep End of Pool



A _____	E _____	I _____
B _____	F _____	J _____
C _____	G _____	K _____
D _____	H _____	
Pool Perimeter _____		

Notes: