



3490 BOARD RD. , SUITE B
 YORK, PA 17406
 PH: (800) 359-5350
 FAX: (717) 764-4191
 (800) 969-4191
 Email: orders@penfab.com

Liner
 Order
 Form

ROMAN

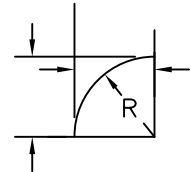
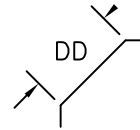
| | | |
|-----------------|---------------------------------|---|
| Date: | P.O.# | Fabrication: <input type="checkbox"/> Quotation: <input type="checkbox"/> |
| Company: | | |
| Zip Code: | | |
| Job Name: | | |
| Wall Pattern: | <input type="checkbox"/> 20 Mil | <input type="checkbox"/> 28 Mil |
| Bottom Pattern: | <input type="checkbox"/> 20 Mil | <input type="checkbox"/> 28 Mil |

Beaded: Overlap: Safety Ledge: Yes No Width: _____ Brand Of Pool: _____

WALL SEAM LOCATION REQUEST No Yes
 Must Be Shown And Dimensioned. Pen Fab Not Responsible For Pattern Misalignment

Note: If The Pool Has Stairs, Indicate Location From The Corners. If The Liner Covers The Stairs, Use Separate Stair Sheet For Required Stair Information.

CORNER TYPE check one



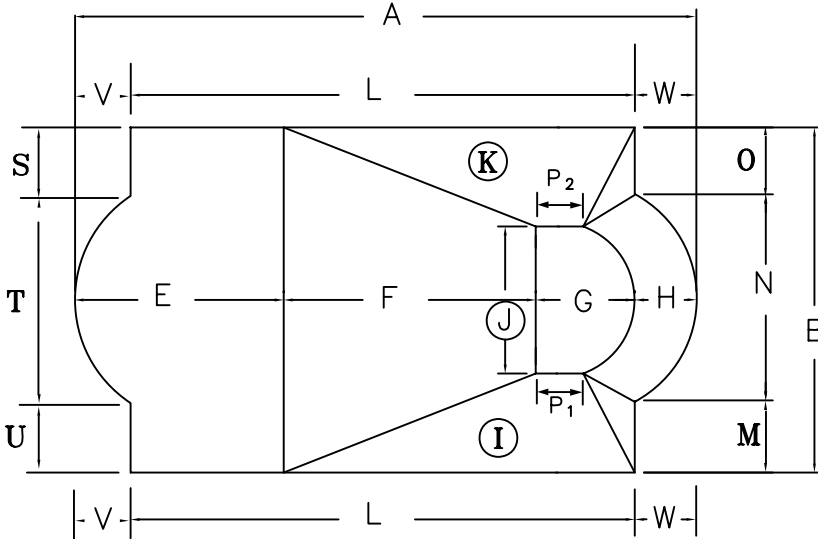
Square

DD= _____"

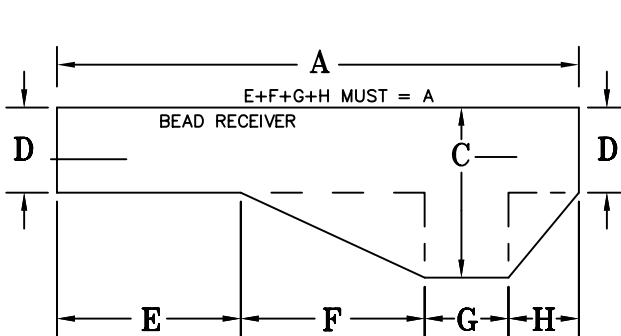
Radius= _____

Foot
 Inch

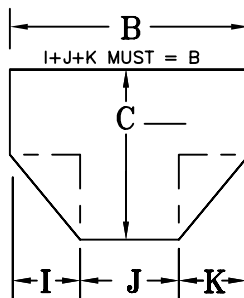
All Measurements Must Be Taken From The BEAD RECEIVER groove to the finished bottom



L _____ M _____ N _____
 S _____ T _____ U _____
 V _____ W _____ O _____
 P₁ _____ P₂ _____



From Deep End of Pool



A _____ E _____ I _____
 B _____ F _____ J _____
 C _____ G _____ K _____
 D _____ H _____
 Pool Perimeter _____

Notes: